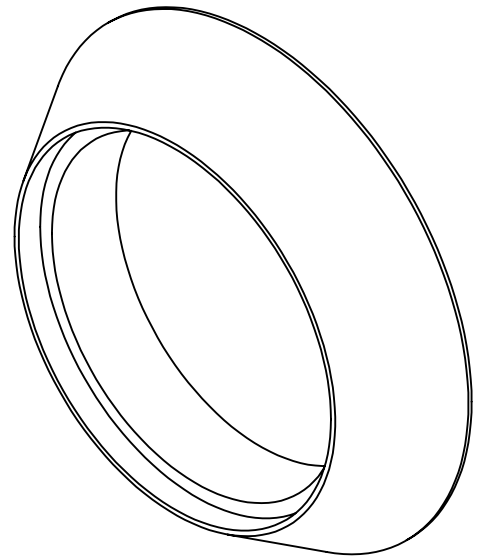
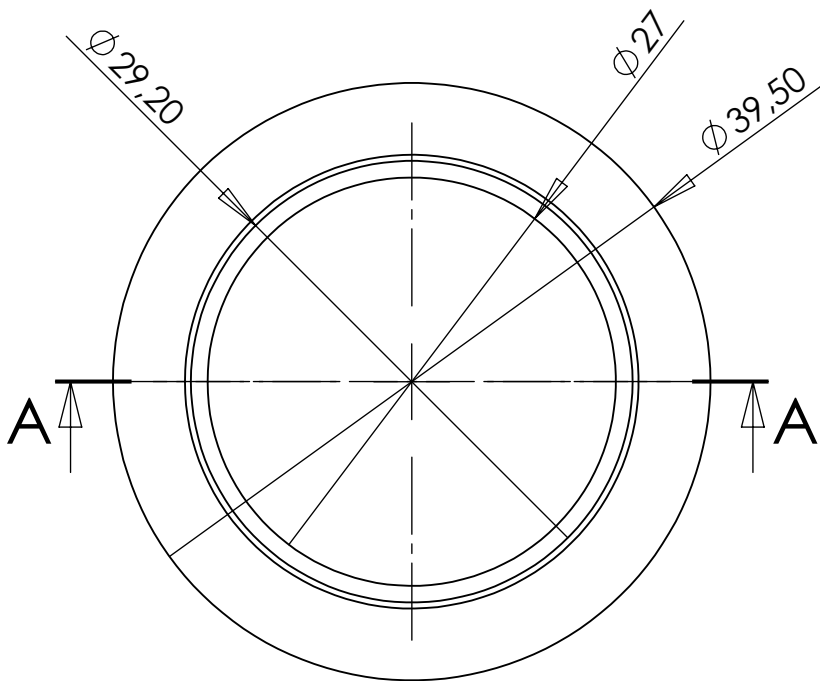


SECTION A-A



Hjulumagervej 13, 9490 Pandrup  
 Tlf. +45 21 25 75 15  
 info@slutblik.dk  
 slutblik.dk  
 maxars.com

This document has been prepared by Maxars A/S, Pandrup Denmark, and remains the property of the company. Reproduction or use of this document without the consent of Maxars A/S or its subsidiaries is prohibited. All rights reserved.

Dim. tolerance:  
DS/ISO 2768-1 m

Scale:  
2:1

Sheet:  
1/1

Size:  
A4

Material:  
AISI 304

Sign

Date

Constr.

HCT

18-09-2017

Last saved

HCT

29-10-2019

AFSTANDSRING

WEIGHT: 0.02

Drawing no.

MA-064