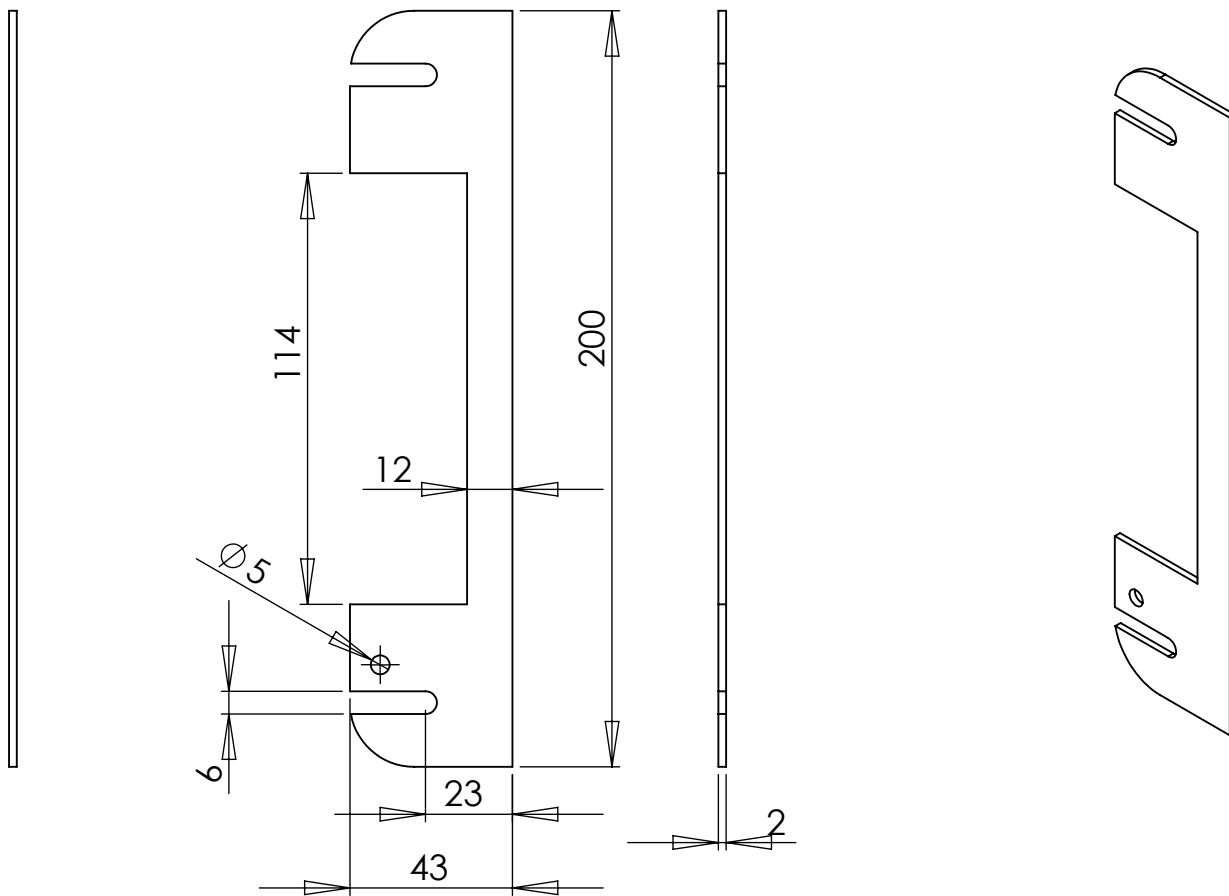


DETAIL A
SCALE 2 : 1



2MM. RUSTFRI STÅL
OVERFLADE: SLEBET PÅ LANGS, EN SIDE
KANTER: SLEBET

This document has been prepared by Maxars A/S, Pandrup Denmark, and remains the property of the company. Reproduction or use of this document without the consent of Maxars A/S or its subsidiaries is prohibited. All rights reserved.

Dim. tolerance:
DS/ISO 2768-1 m

Scale:
1:2

Sheet:
1/1

Size:
A4

Sign

Date

Constr.

HCT

16-08-2017

Last saved

HCT

29-10-2019

WEIGHT: 0.07

Drawing no.

MA-061

 **SLUTBLIK**

Hjulmagervej 13, 9490 Pandrup
Tlf. +45 21 25 75 15
info@slutblik.dk
slutblik.dk
maxars.com

**SLUTBLIK FOR
SWITCH 43 X 200**